

Model Sizing Form for the RollerDrive

SANKYO SEISAKUSHO CO.

FAX seat

Model Sizing Form for the **RollerDrive**[®]

Customer's Company, Department			
Address			
Name			
TEL		FAX	
E-mail			

A)Application

B)Provide sketch and indicate loads to be mounted or applied to output shaft

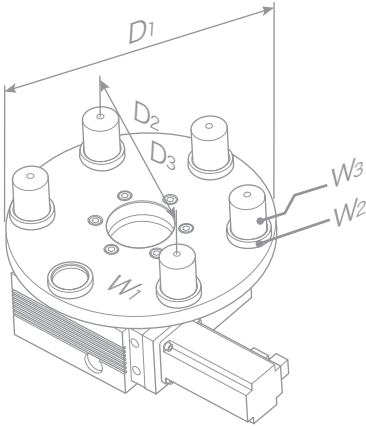
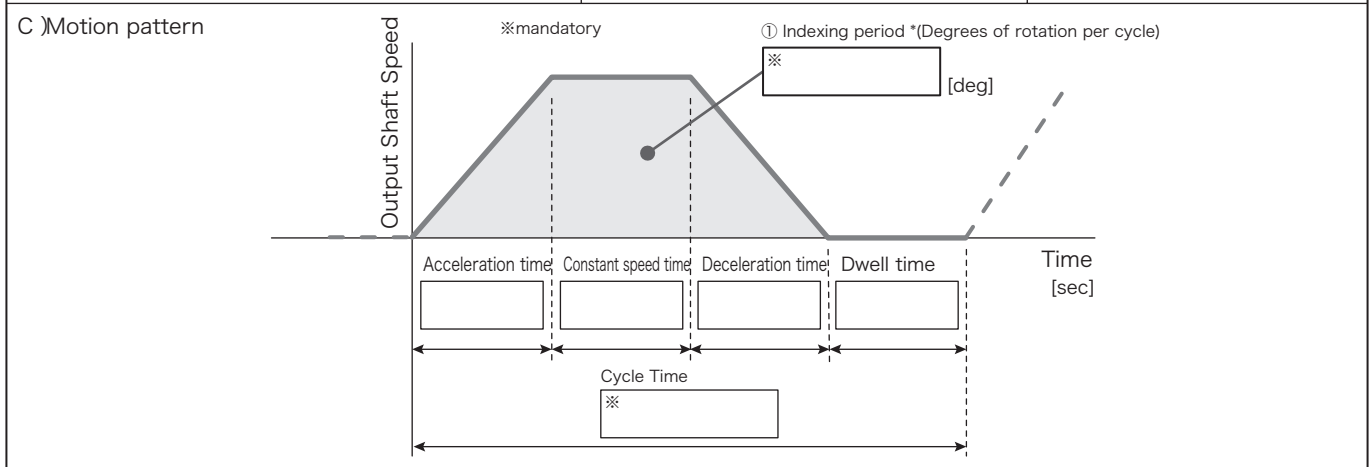


Table diameter : D ₁	[mm]
Table mass : W ₁	[kg]
PCD of fixtures : D ₂	[mm]
Mass per fixture : W ₂	[kg]
Number of fixtures : n ₂	[pcs.]
PCD of workpieces : D ₃	[mm]
Mass per workpiece : W ₃	[kg]

Loads on the output shaft

Axial/radial load	Moment load	Number of workpieces n ₃
[N]	[N·m]	[pcs.]



D)Servo motor

All-in-one Supplied by customer