

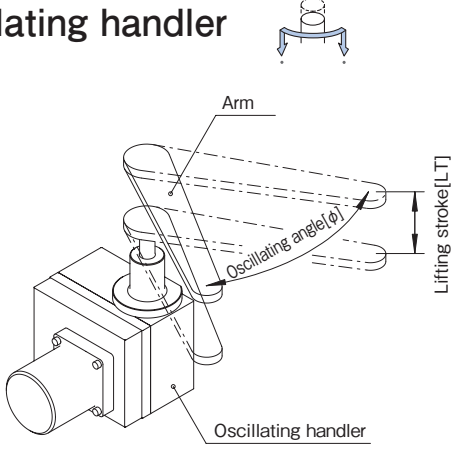
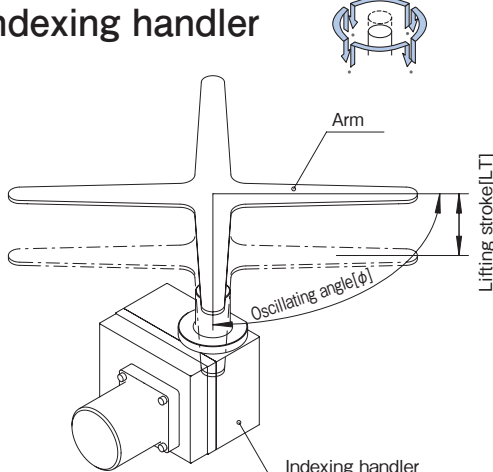
Model Sizing Form for the SANDEX Oscillating handler/Index handler

SANKYO SEISAKUSHO CO.

FAX seat

Model Sizing Form for the SANDEX series〈P&P unit〉

Customer's Company, Department			
Address			
Name			
TEL		FAX	
E-mail			

<p>Oscillating handler </p>  <p>● Oscillating angle φ <input type="text"/> deg ● Lifting stroke LT <input type="text"/> mm ● One cycle time <input type="text"/> sec (Input shaft speed <input type="text"/> rpm) ● Stop time at positionq <input type="text"/> sec Stop time at positionw <input type="text"/> sec</p>	<p><input type="checkbox"/> Indexing handler </p>  <p>● Number of stops S <input type="text"/> (stations) ● Lifting stroke LT <input type="text"/> mm ● One cycle time <input type="text"/> sec (Input shaft speed <input type="text"/> rpm) ● Stop time at each station <input type="text"/> sec</p>
--	--

<p>Memo</p>	<p>● Torque Limiter <input type="checkbox"/> Yes <input type="checkbox"/> No</p> <p>● Timing Cam - Photo Switch <input type="checkbox"/> Yes (set) <input type="checkbox"/> No</p> <p>● Knock pin holes in housing <input type="checkbox"/> Yes <input type="checkbox"/> No</p> <p>● Keyway in input shaft <input type="checkbox"/> Yes <input type="checkbox"/> No</p>
--------------------	---